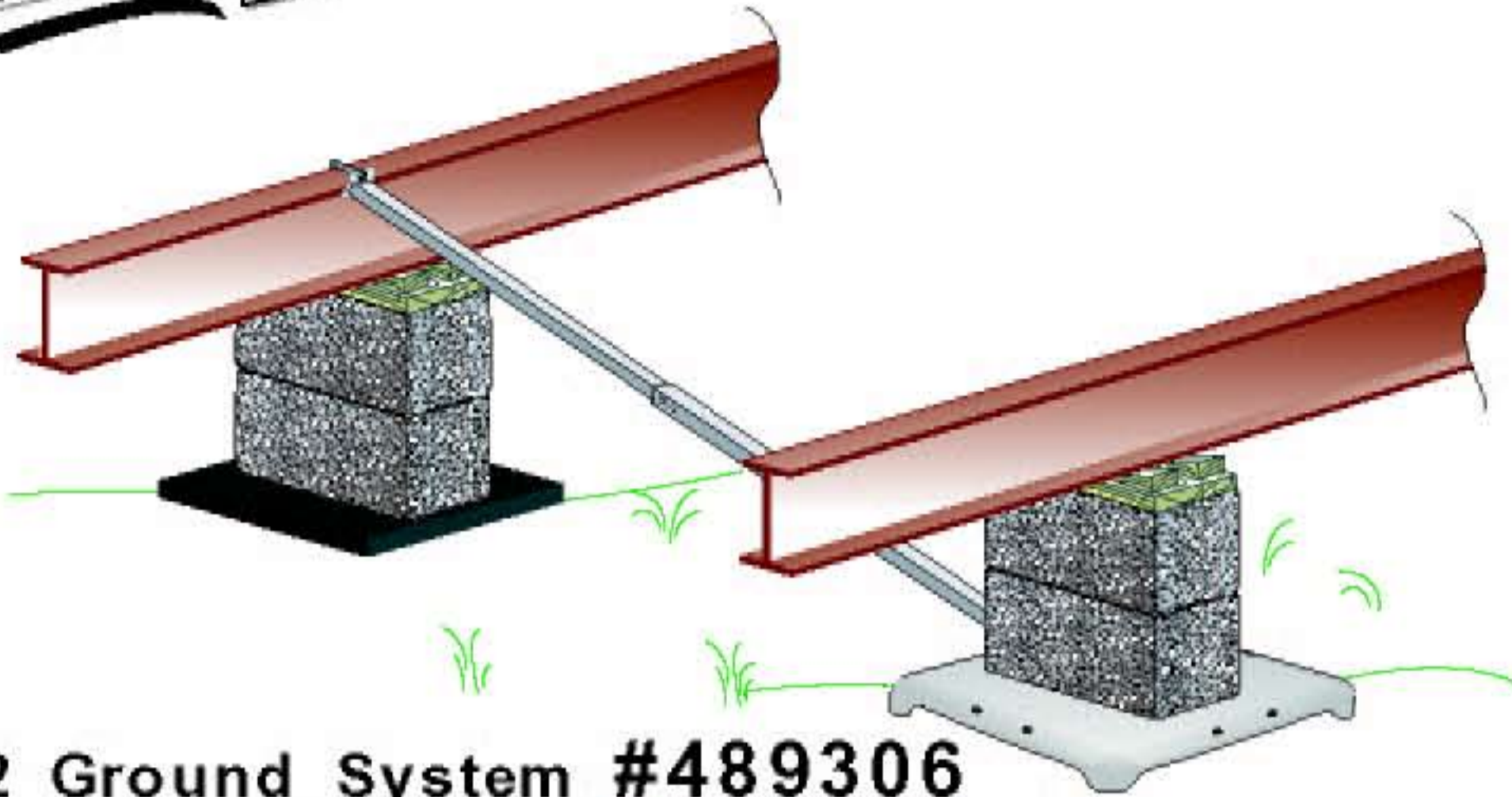
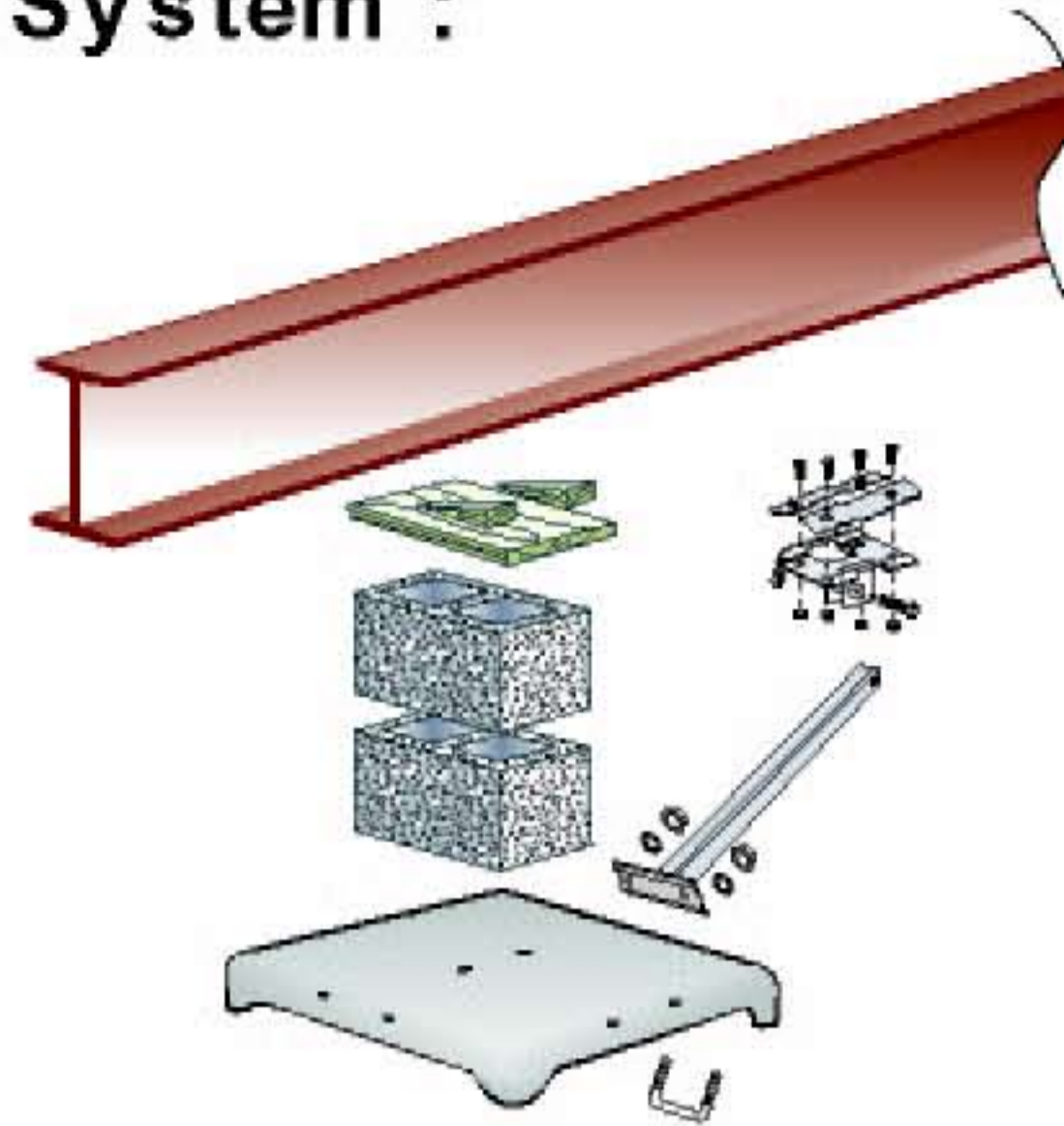




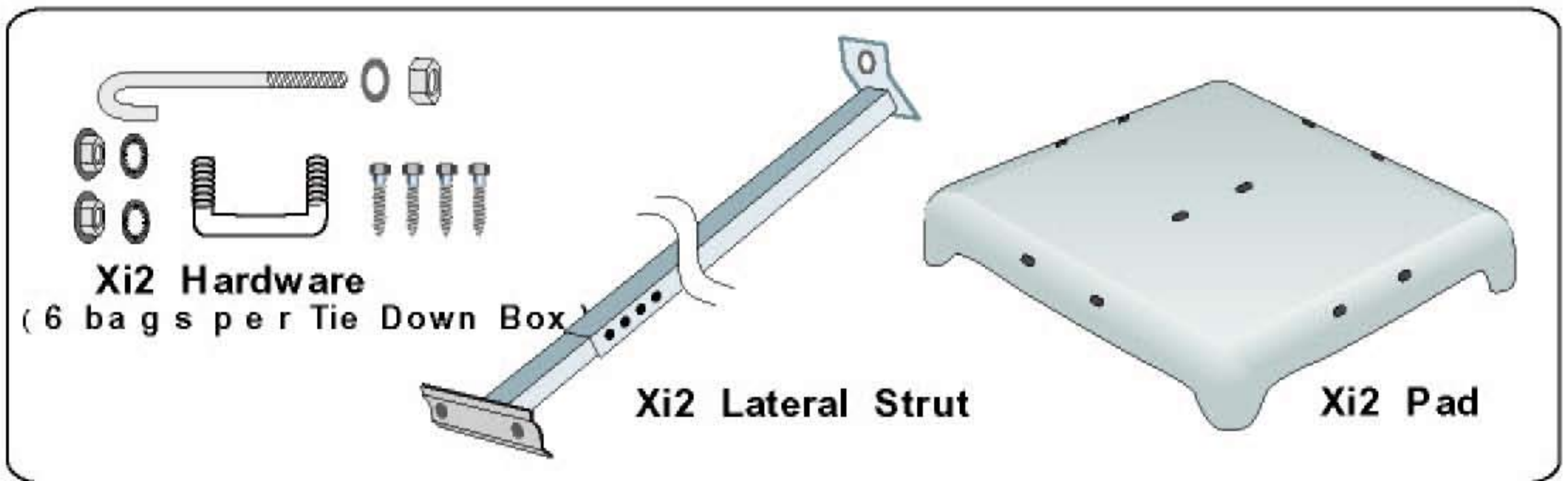
Ground Pier Foundation System : Parts Identification



Xi2 Ground System #489306
(Includes: 5' Strut, Pad & Hardware)



Longitudinal Strut Assembly



Xi2 Hardware
(6 bags per Tie Down Box)

Xi2 Lateral Strut

Xi2 Pad

Longitudinal Xi2 Parts:

Struts for Longitudinal Systems

Part No.	Strut Length	Pier Height
4859339	39"	up to 3 Blocks or 24"
4859344	44"	up to 4 Blocks or 32"
4859353	53"	up to 5 Blocks or 40"

LSD Hardware Kit #4859331 2/box