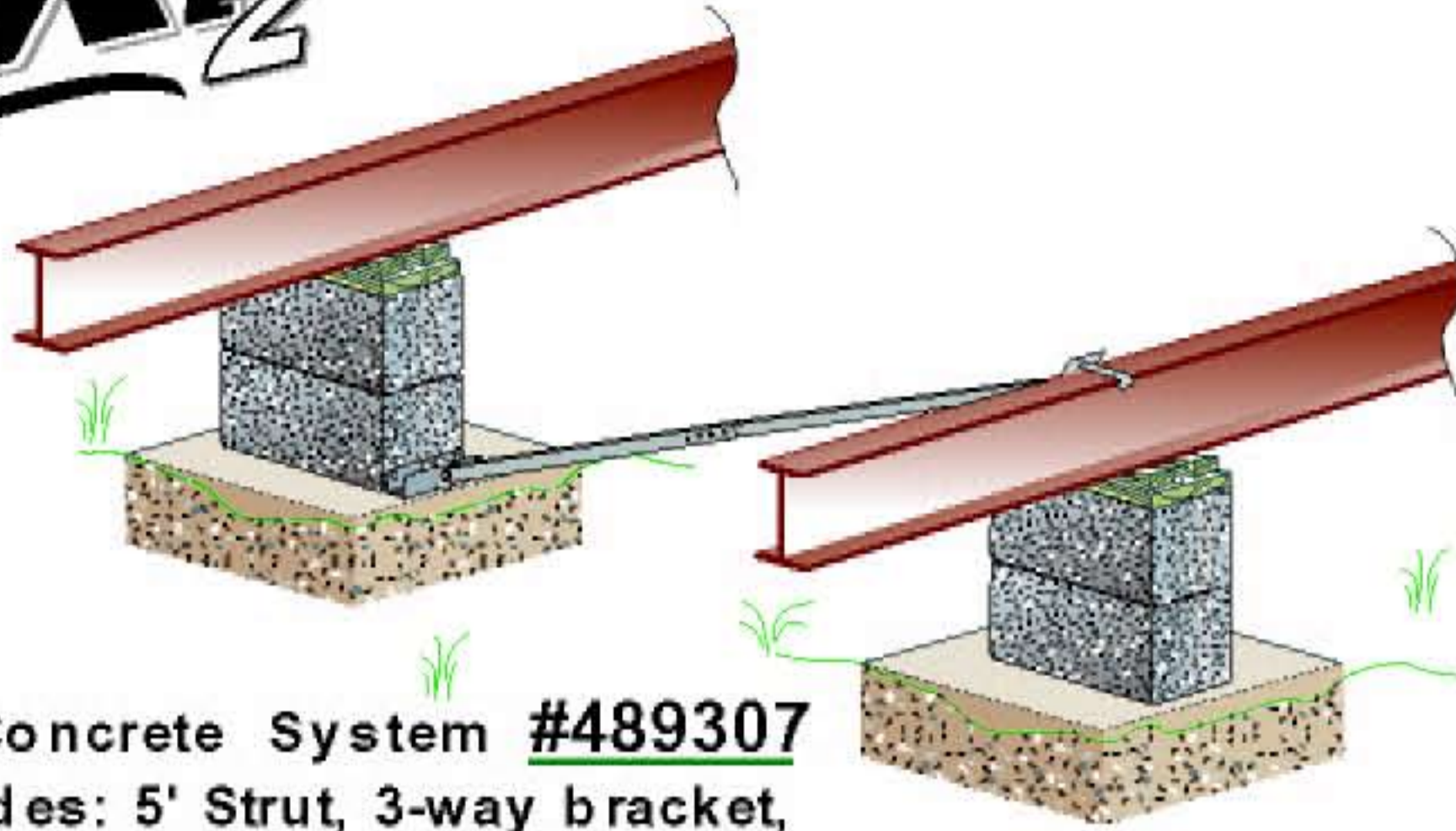
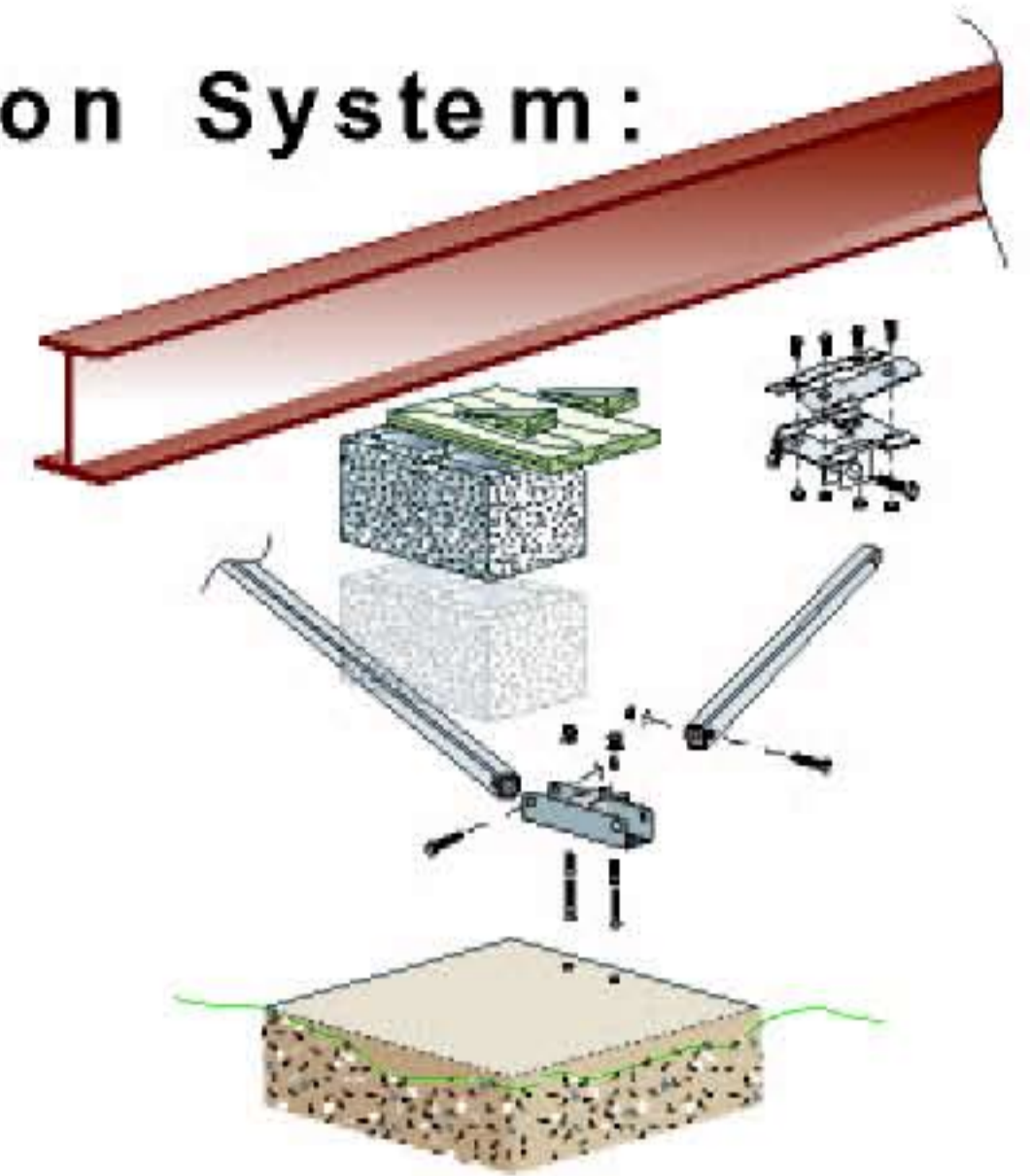




Concrete Pier Foundation System: Parts Identification

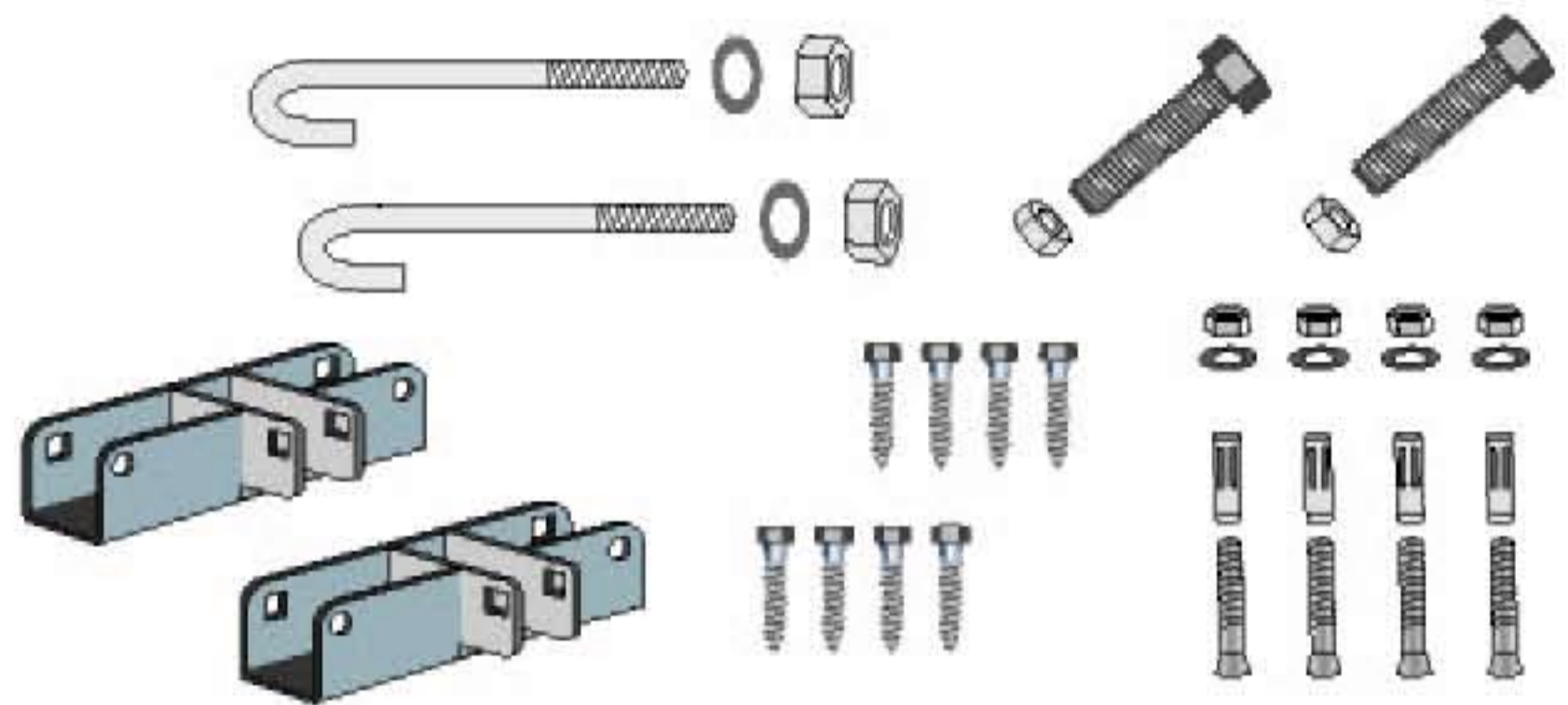
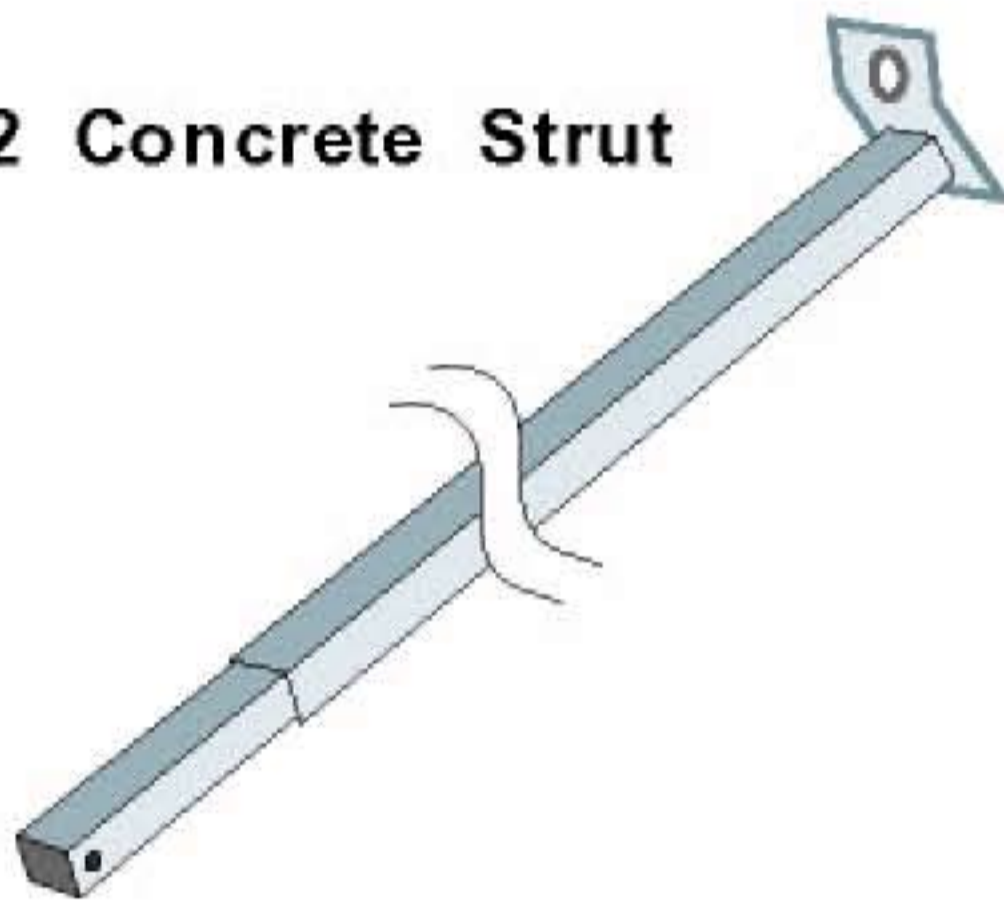


Xi2 Concrete System #489307
Includes: 5' Strut, 3-way bracket,
and hardware



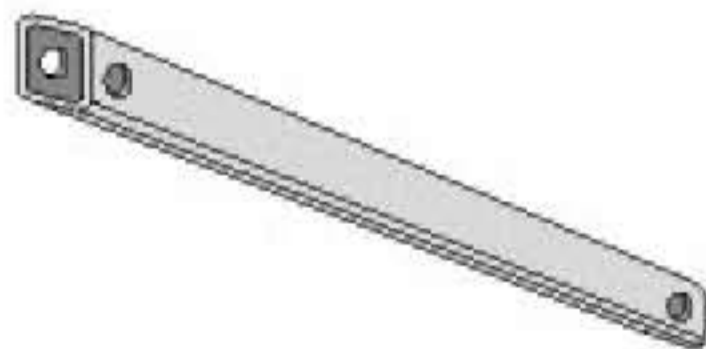
**Longitudinal Strut
Assembly**

Xi2 Concrete Strut



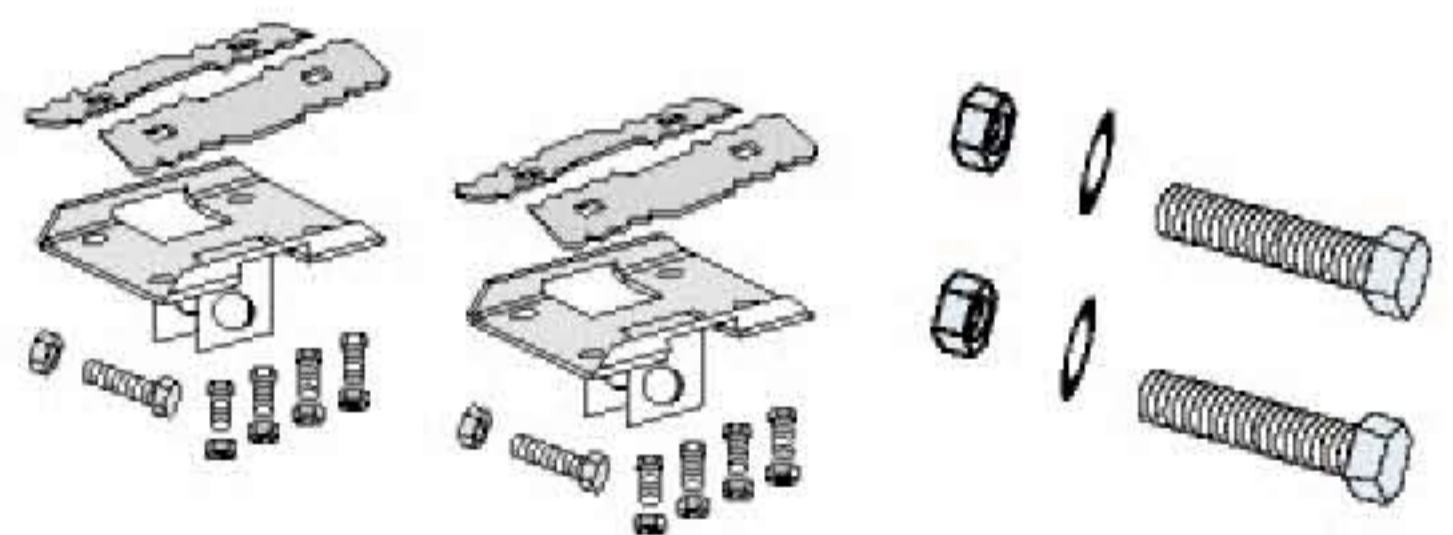
Xi2 Concrete Hardware Kit
2 sets per Tie Down box

Longitudinal Xi Parts:



Struts for Longitudinal Systems
Part No. Strut Length Pier Height

4859012	39"	up to 3 Blocks or 24"
4859013	44"	up to 4 Blocks or 32"
4859014	53"	up to 5 Blocks or 40"



LSD Hardware Kit #489203 (2 sets/box)